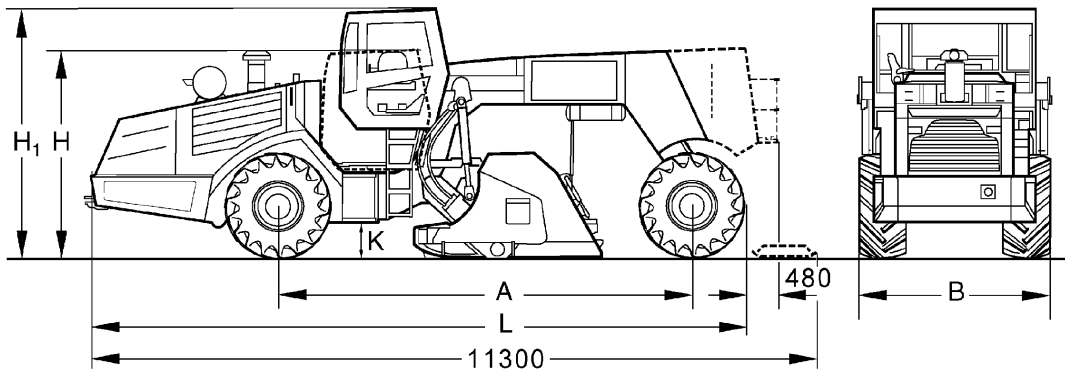


# TECHNICAL DATA

STABILIZERS/ RECYCLERS

RS 600





**Dimensions in mm**

	<b>A</b>	<b>B</b>	<b>H</b>	<b>H1</b>	<b>K</b>	<b>L</b>
<b>RS 600</b>	6243	2850	3100	3700	530	9925

**Shipping dimensions in m3**

<b>RS 600</b>	87,687
---------------	--------

**Technical Data****BOMAG  
RS 600****Weights**

Operating weight CECE .....	kg	27.900
Axle load, front CECE .....	kg	17.625
Axle load, rear CECE .....	kg	10.275
Max. weight .....	kg	32.300

**Driving Characteristics**

Speed (1) .....	km/h	0- 3,0
Speed (2) .....	km/h	0- 12,0
Max. gradeability (dep. on soil con.) .....	%	40

**Drive**

Engine manufacturer .....		Deutz
Type .....		TCD 2015 V08
Emission stage .....		Stage IIIa / TIER3
Cooling .....		Liquid
Number of cylinders .....		8
Performance ISO 9249 .....	kW	440,0
Performance SAE J 1995 .....	hp	590,0
Speed .....	min-1	1.900
Electric equipment .....	V	24
Drive system .....		hydrost.
Driven wheels .....		all wheel

**Tyres**

Tyre size, front .....	28L-26 26PR
Tyre size, rear .....	28L-26 26PR

**Brakes**

Service brake .....	hydrost.
Parking brake .....	multi disc

**Steering**

Steering system .....	Art. + rear
Steering method .....	hydraulic

**Rotor**

Rotor width .....	mm	2.400
Rotor diameter, outer .....	mm	1.416
Rotor speed .....	min-1	104- 140
Rotor oscillation angle +/- .....	grad	5
Sense of rotation .....		up-cut
Max. cutting depth .....	mm	600
Number of cutting teeth .....		170
Height of cutting teeth .....	mm	290

**Capacities**

Fuel .....	l	1.075,0
------------	---	---------

Technical modifications reserved. Machines may be shown with options.

## Standard Equipment

- Hydrostatic drive / all wheel
- Hydr./ mech. rotor drive with autom. power control
- Hydr. adjustable rotor inclination, automatic
- BOMAG FLEXMIX Technology
- Universal rotor with exchange holder BMS15
- Hydr. tailgate with floating position+Load application function
- Hydrostatic articulated steering
- Hydrostatic rear axle steering
- 3 Steering modes
- Height adjustable ROPS cab
  - Transport/working position
  - slewable/slidable multi-function work place
  - heating
  - Air condition
  - Radio
- LED Working head lights
- Rotary beacon
- Rearview camera
- Air compressor + Connecting port for compressed air tools
- Lockable stowage compartments
- Central lubrication system
- Compressed air set

## Optional Equipment

- Water metering system (800l + 1600l)
- Water prefilter
- Emulsion metering system
- Emulsion filter
- Foam bitumen metering system (also for emulsion)
- Printer for metering computer
- Job data printer
- Rotor 2600 mm
  - Quick-change holder BRS05
- Rotor CMI-Layout 22mm
- Quick-change holder 20mm(BMS15)
- Rotor CMI-Layout 20mm
- Universal rotor 22mmBRS05
- Universal rotor 20mmBRS05
- Quick refuelling system
- Tractor tires (Recycler)
- EM Tyres
- Tool kit
- Special painting
- TELEMATIC POWER
- Biodegradable hydraulic oil

